

POWER MONITORING & PROTECTION

THREE-PHASE VOLTAGE MONITORS 258, 269

DESCRIPTION

The **Time Mark Models 258** and **269** continuously monitor three-phase power lines for phase loss, phase reversal, and low voltage. **Model 269** also monitors for high voltage. **Models 258** and **269** do not require a neutral connection and can be used with any Wye or Delta systems. When correct voltage and phase rotation are applied, the internal relay will energize. A fault condition will de-energize the relay. When the fault is corrected, the monitor will automatically reset.



258



269



SPECIFICATIONS

	B258B	258B	A258B	A269	B269	C269
Nominal AC Voltage (VAC phase to phase)	120	208/240	480	120	208/240	480
Adjustment Range (VAC)	85-120	160-240	380-480	110-145 80-115	210-280 170-240	400-540 380-460
Frequency (Hz)	60	60	60	60	60	60
Power Consumption (W)	1.4	2.4	3.7	1.5	3.0	6.0
Response Time	50ms	50ms	50ms	Adj. 1-10 sec	Adj. 1-10 sec	Adj. 1-10 sec
Reset Time	50ms	50ms	50ms	0.25 sec	0.25 sec	0.25 sec
Mounting	RB08-PC	RB08-PC	RB08-PC	Surface	Surface	Surface
Weight lb (Kg)	0.3 (0.13)	5 (141.7)	5 (141.7)	0.6 (0.27)	0.6 (0.27)	0.6 (0.27)
Agency Approvals (UL file #E60400)	UR, CSA	UR, CSA	UR*, CSA	UL, CSA	UL, CSA	UL, CSA

Repeat Accuracy ±0.1% of setpoint (fixed conditions)
Reset Type Automatic
Deadband Approx 2%
Relay Type SPDT
Relay Rating 10A @ 240 VAC, resistive

NOTE: A258B must be used with the RB08-PC socket.

Operating Temperature -20° to 131°F (-30° to 55°C)
Operating Humidity 0-97% noncondensing

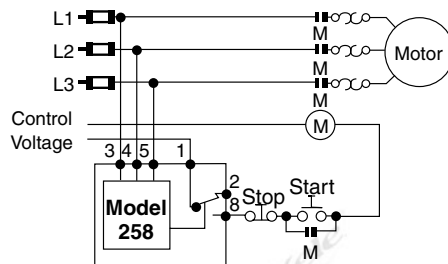
Dimensions

258 1.95"H x 1.95"W x 3.25"D
(4.96 x 4.96 x 8.25 cm)
RB08-PC 2.25"H x 2.0"W x 0.625"D
(5.7 x 5.1 x 1.6 cm)
269 6.06"H x 3.88"W x 2.82"D
(15.4 x 9.9 x 7.1 cm)

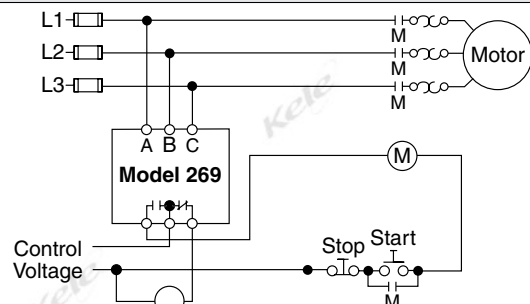
Warranty

5 years

WIRING



Shown de-energized
258



Optional Alarm Indicator
Shown de-energized
269

ORDERING INFORMATION

MODEL	DESCRIPTION
A258B	Three-phase voltage monitor, 480 VAC
258B	Three-phase voltage monitor, 208/240 VAC
B258B	Three-phase voltage monitor, 120 VAC (use with Model 3PT3 potential transformer)
RB08-PC	600V/10A socket (required with each 258 voltage monitor)
A269	Three-phase voltage monitor, 120 VAC (use with Model 3PT3 potential transformer)
B269	Three-phase voltage monitor, 208/240 VAC
C269	Three-phase voltage monitor, 480 VAC